

# ADCRAFT®



## WB-100 Water Boiler

**This manual contains important information regarding your *Admiral Craft* unit. Please read this manual thoroughly prior to equipment set-up, operation and maintenance. Failure to comply with regular maintenance guidelines outlined in this manual may void the warranty. MUST READ!!!**

## WARNINGS

- Do not touch any hot surfaces
- Do not use machine with wet hands.
- Do not immerse unit, cord or plug in liquid at any time
- Unplug cord from outlet when not in use and before cleaning.
- Plug only into a 3-hole grounded electrical outlet
- Do not operate unattended
- Do not use this unit for anything other than intended use
- Do not use outdoors
- Keep children and animals away from unit
- Always operate on a firm, dry and level surface at least 12" from walls or any other obstruction
- Do not use unit with a damaged cord or plug, in the event the appliance malfunctions, or has been damaged in any manner
- Any incorrect installation, alterations, adjustments and/or improper maintenance can lead to property loss and injury. All repairs should be done by authorized professionals only
- Ensure that the power supply you are using is adequate for continual usage and the voltage is correct.
- The minimum volume to operate must be at least 1/3 of the maximum capacity.
- The lid must be closed when operating unit.

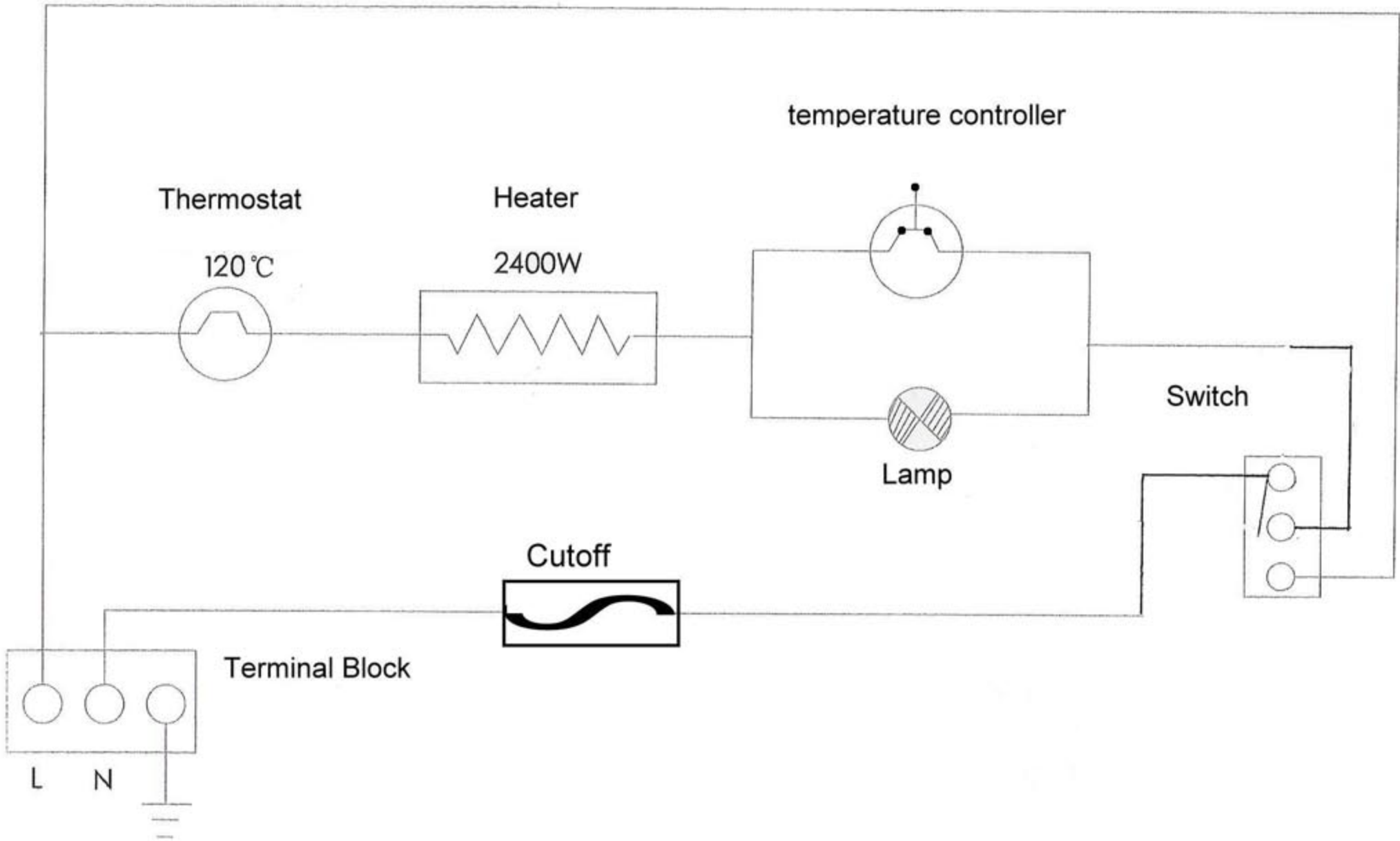
## TO USE

1. First, confirm the switch is off and the thermostat is set at "0" position.
2. Fill the urn to at least half of total capacity with cool water.
3. Place the lid on unit.
4. Plug the power cord into the appropriately rated outlet.
5. Turn the power switch "On". The light will illuminate to indicate the power is connected.
6. Control desired temperature by turning the knob.
7. When the indicator lights up, the boil pressure is completed. Hot water is now ready to be served.
8. When the temperature cools down to about 10°C or (50°F), the unit will restart and heat up automatically and the indicator will light up again.
9. When the temperature cools down to about 100°C or (212°F), the unit will maintain a boiling temperature until setting is reduced.

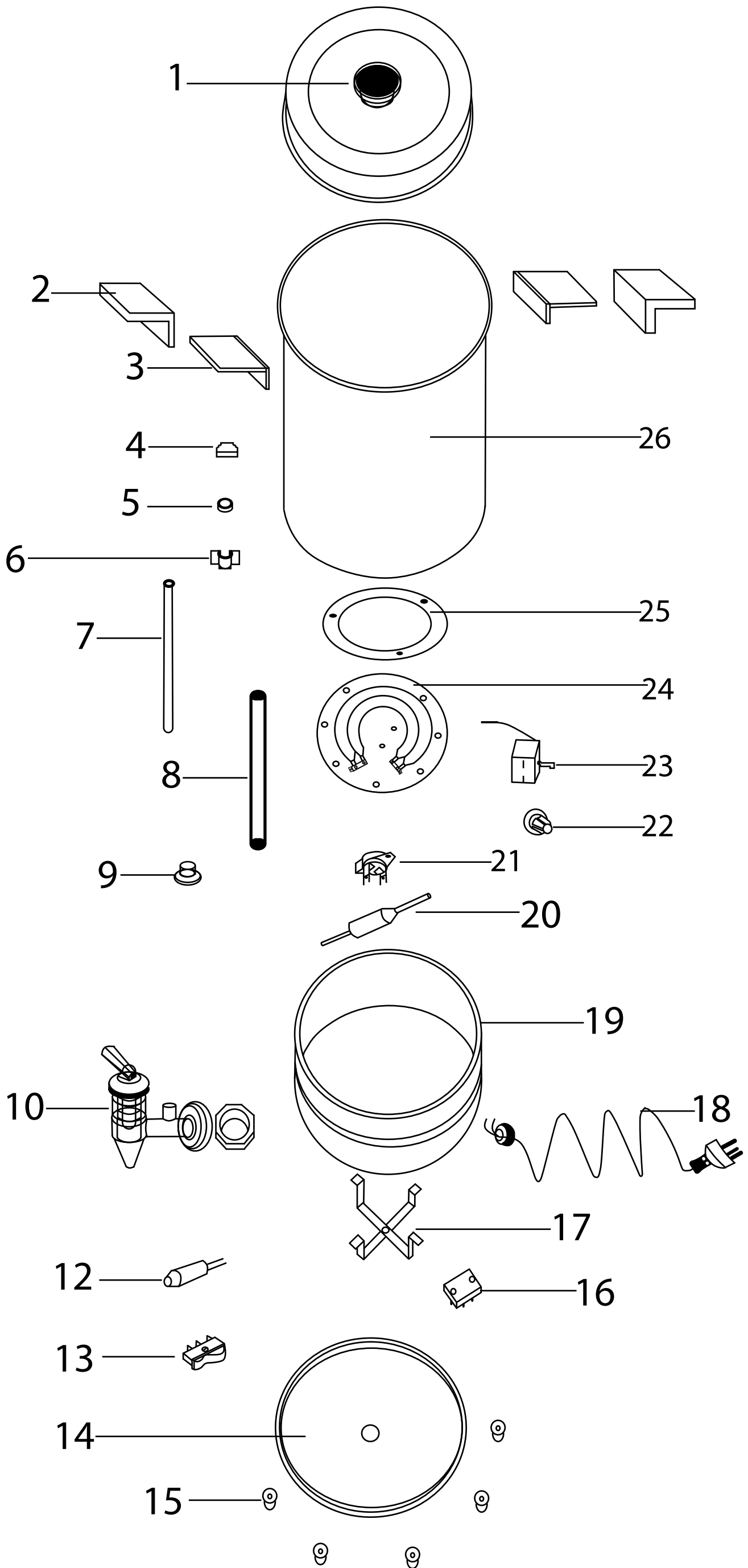
**CLEANING – NOTE:** To maintain cleanliness and increase service life, the brewer should be cleaned every four weeks. Do not immerse the unit in water or any other liquid. If liquid enters the electrical compartment it may cause a short circuit or electrical shock.

**\*On areas of the heating element, hard water will cause chalk and limestone to accumulate over time. It is recommended that you de-sediment when it is determined there are scale sediments at the bottom of the unit.**

1. Before cleaning or attempting to move water boiler, unplug from outlet.
2. Pour 200ml of fresh lemon juice or concentrated lemon juice into the urn.
3. Wait 5 minutes to allow the lemon juice to penetrate.
4. A brush with soft bristles may be used to gently clean the unit.
5. Repeat steps 1-3 until all residue is removed.
6. Use a dry cloth to wipe away the lemon juice.
7. Rinse with clean water and brush the heating element lightly.
8. To avoid damage, do not use abrasive cleaners or scouring pads.
9. If soap or chemical cleaners are used, be sure they are completely rinsed away with clear water immediately after cleaning. Chemical residue could damage or corrode the surfaces of the unit.



# WB-100



## Water Boiler - WB-100

Reference Number	Part Number	Description
1	CP-01	Cover with knob
2	WB-2	Plastic Handle
3		Fixer of Urn's Shaft S/S
4	CP-18	Screwcap for Sleeve
5		Sealing of Graduation
6		Fixer of Water Graduation
7	CP1-11	Glass Graduation
8	CP1-12	Sleeve for Graduation
9		Screw of Glass Graduation
10	CP-13	Spigot
12	WB-12	Indicator Light - Clear
13	CP-17	Lighted Switch - Red
14		Base of Urn
15	WB-15	Foot
16		Terminal Block
17		Bottom Cover Support
18	CP-15	Power Cord and Plug
19		Base of Urn
20	WB-20	Thermos Cutoffs
21	WB-21	Thermostat
22	WB-22	Temperature Knob
23	WB-23	Adjustable Thermostat
24	WB-24	Heating Element
25		Heating Dish Gasket
26		Body of Urn

VER811

## ACE Equipment One Year Limited Warranty

*Admiral Craft Equipment Corp. (ACE) warrants its equipment against defects in materials and workmanship, subject to the following conditions:*

ACE Equipment is warranted for one year, effective from the date of purchase by the original owner. A copy of the original receipt or other proof of purchase is required to obtain warranty coverage. This warranty applies to the original owner only, and is not assignable.

Should any product fail to function in its intended manner under normal use within the limits defined in this warranty, at ACE's discretion, such product will be repaired, replaced with a refurbished unit, or replaced with a new unit by ACE, after defective unit has been inspected and defect has been confirmed. ACE does not assume any liability for extended delays in replacing any item beyond its control. This warranty does not apply to rubber and non-metallic synthetic parts that may need to be replaced due to normal usage, wear or lack of preventative maintenance.

This warranty covers products shipped into the 48 contiguous United States, Hawaii, and metropolitan areas of Alaska and Canada. Warranty coverage on products used outside the 48 contiguous United States, Hawaii and metropolitan areas of Alaska and Canada may vary. Contact ACE for details at 1-800-223-7750

The following conditions are not covered by warranty:

- Equipment failure relating to improper installation, improper utility connection or supply and problems due to improper ventilation.
- Equipment that has not properly been maintained, damage from improper cleaning, and water damage to controls.
- Equipment that has not been used in an appropriate manner, or has been subject to misuse, neglect, abuse, accident, alteration, negligence, damage during transit, delivery or installation, fire, flood, riot, or act of God.
- Equipment that has the model number or serial number removed or altered.
- Equipment on which the security seal has been broken.

If the equipment has been changed, altered, modified, or repaired without express written permission from ACE, then the manufacturer shall not be liable for any damages to any person or to any property, which may result from the use of this equipment thereafter.

This equipment is intended for commercial use only and this warranty is void if equipment is used in other than a commercial application.

For warranty and non-warranty related issues please call ACE at 1-800-223-7750 ext 3 to speak to technical support. When calling please have your model number, serial number and proof of purchase ready. To purchase replacement parts, receive online technical support or fill out a warranty claim visit [www.admiralcraftequipment.com](http://www.admiralcraftequipment.com). It is not necessary to contact the place where you originally purchased your product from.

**“THE FOREGOING WARRANTY IS IN LIEU OF ANY AND ALL WARRANTIES EXPRESSED OR IMPLIED INCLUDING ANY IMPLIED WARRANTY OF MERCHANTABILITY OR FITNESS FOR PARTICULAR PURPOSES AND CONSTITUTES THE ENTIRE LIABILITY OF ACE. IN NO EVENT DOES THE LIMITED WARRANTY EXTEND BEYOND THE TERMS STATED HEREIN.”**